

WuduMate



UNICLASS L721:N5352	EPIC H12:Y3107
CI/SfB (74.2)	(U35)

RIBA CLASSIFICATION

Wall-mounted Tap

CODE: WM-T-WM

Specification Sheet

Metric



Illustrated

WuduMate Wall-mounted Tap

Product Code: WM-T-WM

Weight

Net: 0.65kg

Gross: 0.82kg

Material

Chromed Brass

Colour

Chrome Finish

Flow Rate

Limited to 3.7 lpm (1 US Gallon)

Option of 1.8 lpm aerator

Installed with

WuduMate Modular

With WuduMate stool

Frequent Applications

Residential • Municipal • Education • Healthcare • Offices • Mosques

Associated Products

Wall-mounted Time Delay Tap

Sensor Tap

Wall-mounted Manual Lever Tap

Manual Lever Tap

Special Notes

Installed with Neoperl® pressure equalising 3.7 LPM (1 USG) Perlator Honeycomb

Extended nipple (90mm) can be cut to length as required

Options

Length 175mm or 125mm

Installed with or without a wrist blade

Thermostatic Mixing Valve

1/2" BSP to 3/4" NPS Adapter

Operation

Equipped with 1/4 turn on/off mechanism at end of spout



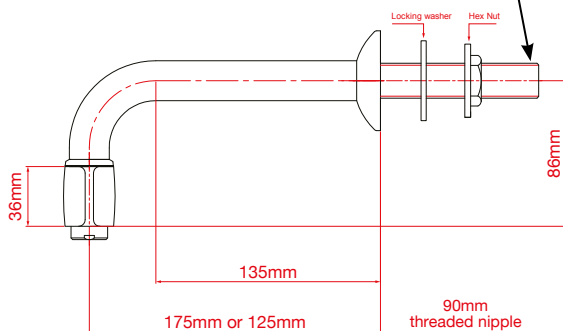
APPROVAL N° 2106332



CSA CERTIFICATION 301439



Tap thread is 1/2" BSPP x 25 x 30
(adapter to NPS available as an option)



All dimensions in mm

The information in this specification sheet reflects the current technical specifications at the time of print. We reserve the right to change the technical or physical specifications without prior notice. All WuduMate images and symbols are exclusive property of Specialist Washing Co. Specialist Washing Co. accept no liability for loss or damage caused by improper installation. Any reproduction or retransmission or republication of any part of this specification sheet is strictly prohibited, unless prior written permission has been granted by Specialist Washing Co, E&OE. Updated December 2024.

WuduMate



+44 (0)1784 748080 • info@wudumate.com