

WuduMate



Pillar Tap 180 Square

CODE: WM-T-PIL-180-SQ

CSA Certification No: 301439

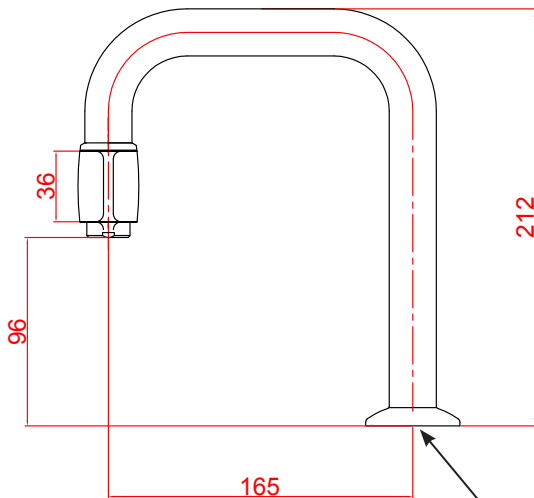
Specification Sheet

Metric



Pillar Tap Square
with wrist blade option

CODE: WM-T-PIL-180-SQ-WB



Tap thread is 1/2" BSPP x 25 x 30
(adapter to NPS available as an option)

All dimensions in mm

JUNE 2021

The information in this specification sheet reflects the current technical specifications at the time of print. We reserve the right to change the technical or physical specifications without prior notice. All WuduMate images and symbols are exclusive property of Specialist Washing Co. Specialist Washing Co. accept no liability for loss or damage caused by improper installation. Any reproduction or retransmission or republication of any part of this specification sheet is strictly prohibited, unless prior written permission has been granted by Specialist Washing Co, E&OE.

UNICLASS L721:N5352	EPIC H12:Y3107
CI/SfB (74.2)	(U35)

(RIBA CLASSIFICATION)

Illustrated

WuduMate Pillar Tap 180 Square

Weight

Net: 0.6kg

Gross: 0.7kg

Material

Chromed Brass

Colour

Chrome Finish

Flow Rate

Limited to 3.7 lpm (1 US Gallon)

Option of 1.8 lpm aerator

Installed with

Wudumate Classic

Wudumate Compact

Options

Thermostatic Mixing Valve (TMV)

Wrist Blade

1/2" BSP to 3/4" NPS Adapter

Frequent Applications

Residential • Municipal • Education • Healthcare • Offices

Special Notes

Installed with Neoperl® pressure equalising Perlator Honeycomb
PLHC 40.2058.00002

Operation

Equipped with 1/4 turn on/off mechanism at end of spout

Associated Products

Pillar Tap 120

Pillar Tap 180

Manual Lever Round Pillar Tap

Manual Lever Square Pillar Tap

Manual Lever Monobloc Tap

Automatic Sensor Tap

WuduMate



+44 (0)1784 748080 • info@wudumate.com