



UNICLASS L721:N5352	EPIC H12:Y3107
CI/SfB (74.2)	(U35)

(RIBA CLASSIFICATION)

Specification Sheet (Metric)

Illustrated

WuduMate Wall-mounted Tap
Product Code: WM-T-WM

Weight

Net: 0.65kg
Gross: 0.82kg

Material

Chromed Brass

Colour

Chrome Finish

Flow Rate

Limited to 3.7 lpm (1 US Gallon)
Option of 1.8 lpm aerator

Installed with

Wudumate Modular
On it's own



Frequent Applications

Residential • Municipal • Education • Healthcare • Offices • Mosques

Associated Products

Wall mounted time delay tap

Special Notes

Installed with Neoperl® pressure equalising aerator
Extended nipple (90mm) can be cut to length as required

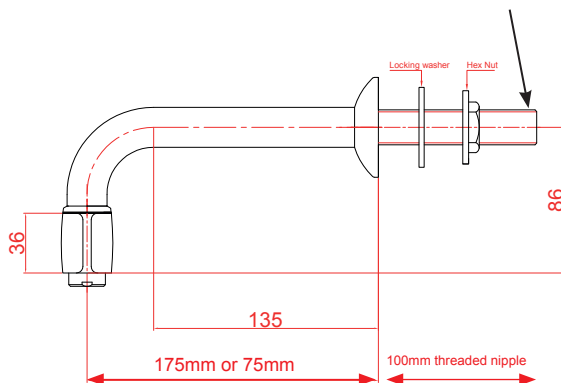
Options

Length 175mm or 75mm
Installed with or without a wrist blade
Thermostatic Mixing Valve

Operation

Equipped with 1/4 turn on/off mechanism at end of spout

Tap thread is 1/2" BSPP x 25 x 30



All dimensions in mm

The information in this specification sheet reflects the current technical specifications at the time of print. We reserve the right to change the technical or physical specifications without prior notice. All WuduMate images and symbols are exclusive property of Specialist Washing Co. Specialist Washing Co. accept no liability for loss or damage caused by improper installation. Any reproduction or retransmission or republication of any part of this specification sheet is strictly prohibited, unless prior written permission has been granted by Specialist Washing Co, E&OE.

