

WuduMate Pillar Tap 180 Square



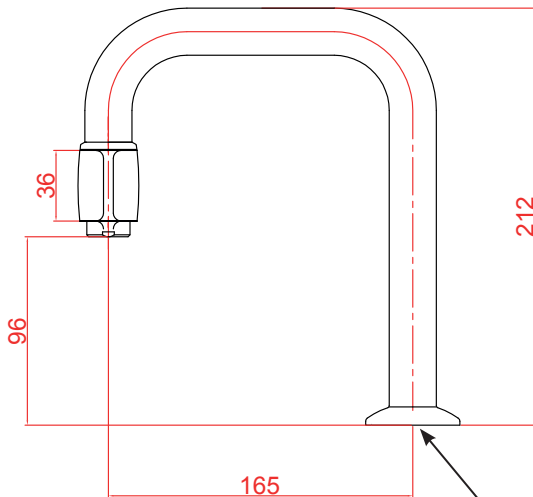
UNICLASS L721:N5352	EPIC H12:Y3107
CI/SfB (74.2)	(U35)

(RIBA CLASSIFICATION)

Specification Sheet (Metric)



Pillar Tap Square
with wrist blade option



Tap thread is 1/2" BSPP x 25 x 30

All dimensions in mm

The information in this specification sheet reflects the current technical specifications at the time of print. We reserve the right to change the technical or physical specifications without prior notice. All WuduMate images and symbols are exclusive property of Specialist Washing Co. Specialist Washing Co. accept no liability for loss or damage caused by improper installation. Any reproduction or retransmission or republication of any part of this specification sheet is strictly prohibited, unless prior written permission has been granted by Specialist Washing Co, E&OE.

Illustrated

WuduMate Pillar Tap 180 Square
Product Code: WM-T-P-180-SQ

Material

Chromed Brass

Flow Rate

Limited to 3.7 lpm (1 US Gallon)
Option of 1.8 lpm aerator

Weight

Net: 0.6kg
Gross: 0.7kg

Colour

Chrome Finish

Installed with

Wudumate Classic
Wudumate Compact

Options

Thermostatic Mixing Valve (TMV)
Wrist Blade

Frequent Applications

Residential • Municipal • Education • Healthcare • Offices

Special Notes

Installed with Neoperl® pressure equalising Perlator Honeycomb
PLHC 40.2058.00002

Operation

Equipped with 1/4 turn on/off mechanism at end of spout

Associated Products

Pillar Tap 120
Pillar Tap 180
Manual Lever Round Pillar Tap
Manual Lever Square Pillar Tap
Manual Lever Monobloc Tap
Automatic Sensor Tap

WuduMate



+44 (0)1784 748080 • info@wudumate.com