

# WuduMate Manual Lever Round Pillar Tap



UNICLASS L721:N5352	EPIC H12:Y3107
CI/SfB (74.2)	(U35)

## Specification Sheet (Metric)



### Illustrated

WuduMate Manual Multi-Lever Pillar Tap (Round)

Product Code: WM-T-MLP-RD

### Weight

Net: 0.60 kg  
Gross: 0.70 kg

### Material

Chromed Brass

### Colour

Chrome Finish

### Flow Rate

Limited to 3.7 lpm (1 US Gallon)  
Option of 1.8 lpm aerator

### Installed with

Wudumate Classic  
Wudumate Compact

### Frequent Applications

Residential • Municipal • Education • Healthcare • Offices

### Special Notes

Installed with Neoperl® pressure equalising Perlator Honeycomb PLHC 40.2058.00002

### Associated Products

Pillar Tap 120

Pillar Tap 180

Pillar Tap 180 Square

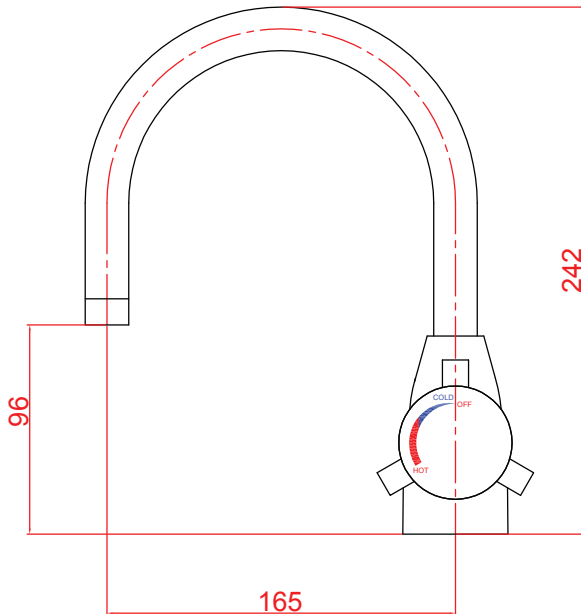
Manual Lever Monobloc Tap

Manual Lever Square Pillar Tap

Automatic Sensor Tap

WuduMate Compact for use in the home and where space is limited

WuduMate Classic for medium use applications, including prayer rooms and multifaith rooms in commercial buildings.



All dimensions in mm

The information in this specification sheet reflects the current technical specifications at the time of print. We reserve the right to change the technical or physical specifications without prior notice. All WuduMate images and symbols are exclusive property of Specialist Washing Co. Specialist Washing Co. accept no liability for loss or damage caused by improper installation. Any reproduction or retransmission or republication of any part of this specification sheet is strictly prohibited, unless prior written permission has been granted by Specialist Washing Co, E&OE.

## WuduMate



+44 (0)845 618 7301 • info@wudumate.com