

# WuduMate



## MODULAR STOOL

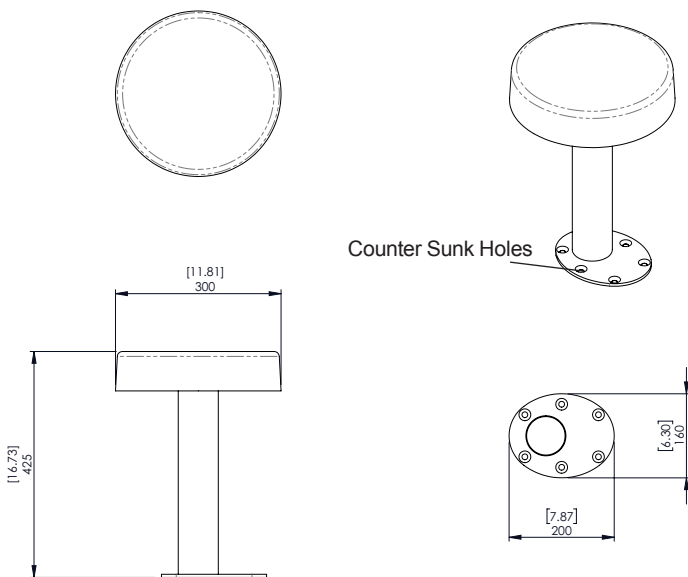
CODE: WM-MOD-SP - PREMIUM

## Specification Sheet

(Imperial) Metric



Silver Seat Pole & White Seat Top



UNICLASS L721:N5352	EPIC H12:Y3107
CI/SfB (74.2)	(U35)

(RIBA CLASSIFICATION)

### Description

A stool for wudu in mosques or prayer rooms.

### Weight

Pole and brackets - 4.25kg  
Seat top - 2.5kg

### Illustrated

Product Code: WM-MOD-SP

### Accessories

Seat Pole Base Cover  
CODE: WM-MOD-SPBC

### Material

Pole and brackets - brushed 316 stainless steel.

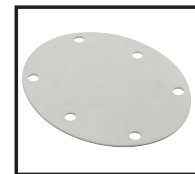
Seat top - double walled acrylic capped ABS seat.



### Dimensions

Length - 400mm  
(+25mm Seat thickness).

Silicone Gasket  
CODE: WM-MOD-GAS



### Colours

Pole: Silver or Gold  
Top: White or Black

### Associated Products

WuduMate Modular for use in mosques.

WuduMate Classic for use in prayer rooms and multifaith rooms in commercial buildings.

WuduMate Compact for use in the home or where space is limited.

### Installation Notes

#### When WuduMate Modular

When supplied with WuduMate Modular-refer to WuduMate Modular Installation Instructions.

#### When For Installation On Its Own

When supplied for stand alone installation:

1. Drill 12mm holes into firm substrate.
2. Fix M10 Rawlbolt sleeves with chemical anchor with bolts insertion.
3. Remove bolts and fix seat with the M10 countersunk bolts provided.

The information in this specification sheet reflects the current technical specifications at the time of print. We reserve the right to change the technical or physical specifications without prior notice. All WuduMate images and symbols are exclusive property of Specialist Washing Co. Specialist Washing Co. accept no liability for loss or damage caused by improper installation. Any reproduction or retransmission or republication of any part of this specification sheet is strictly prohibited, unless prior written permission has been granted by Specialist Washing Co, E&OE.

# WuduMate



+44 (0)1784 748080 • info@wudumate.com